

Type: \_\_\_\_\_

Model: \_\_\_\_\_

Project: \_\_\_\_\_

## SPECIFICATION SHEET

### MODEL: Plymouth I

#### SPECIFICATIONS

**HOUSING:**

Cast brass with weathered brass finish. Head locks with set screws.

**SOCKET/LAMP HOLDER:**

Bi-pin socket in adjustable head.

**LENS:**

Clear flat tempered glass.

**LAMP TYPE:**

12V MR16. LED recommended.

**MOUNTING:**

Composite stake included.

**WIRING:**

Prewired with 5' pigtail of 18/2 cable.

**WARRANTY:**

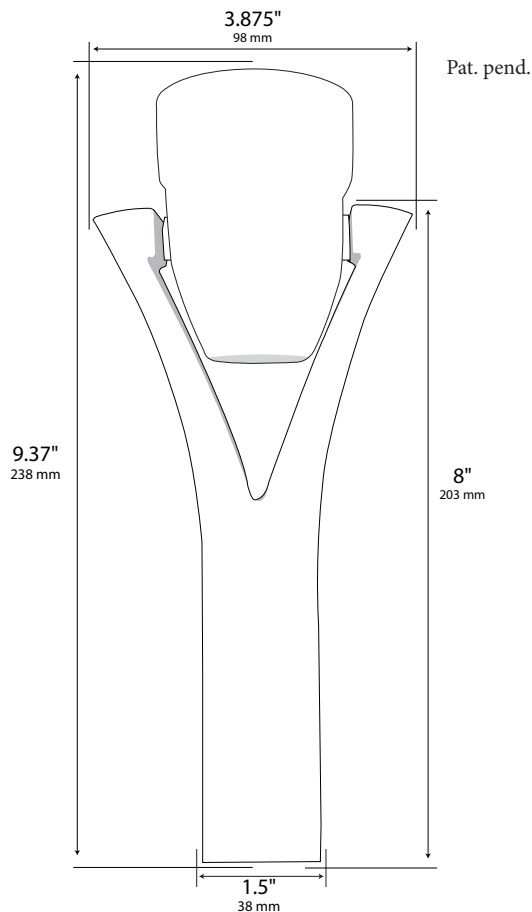
Lifetime.



Pat. pend.

The elegant cast brass Plymouth I uses one MR16 LED lamp enclosed in a swiveling head that can be aimed with infinite precision vertically and horizontally. Composite stake is included, and other mounting options are available.

### DIMENSIONS:



LED LAMP SPECIFICATIONS

**LAMP TYPE:**

Dauer MR16 UL-listed (E353116) 12V lamp with 5-year warranty, dimmable, and suitable for enclosed luminaires.

**OPTICS:**

Integral optics providing available beam spreads from 15° to 100°.

**COLOR TEMPERATURES:**

Color temperature options provide the following qualities: 2700K=ultra-warm; 3000K=warm white; 4000K=neutral white; 5000K=cool white. Decorative color light options include amber, blue, green, and red.



Pat. pend.

FIXTURE	MR16 LAMP			MOUNTING		RISER	
	WATTAGE	BEAM SPREAD	COLOR TEMP.				
Plymouth I	2W	25° / 40° / 60° / 100°	2700K / 3000K	<b>MS</b>	Composite stake (incl.) 490029	<b>R2</b>	2" brass riser 490038
	4W	25° / 40° / 60° / 100°	2700K / 3000K	<b>M3</b>	3-prong tri-stake 490030	<b>R3</b>	3" brass riser 490039
	5W	15° / 25° / 40° / 60° / 100°	2700K / 3000K	<b>MR</b>	Round 3-hole surface mount 490048	<b>R6</b>	6" brass riser 490031
		25°	Amber / Blue / Green / Red	<b>MP</b>	PVC mounting stake 490037	<b>R12</b>	12" brass riser 490032
	6W	25° / 40° / 60°	2700K / 3000K			<b>R24</b>	24" brass riser 490033
	7W	25° / 40°	2700K / 3000K / 4000K / 5000K				
		60°	2700K/3000K				