

Type: _____

Model: _____

Project: _____

SPECIFICATION SHEET

MODEL: Hampton

SPECIFICATIONS

HOUSING:

Cast brass with weathered brass finish. Angled shroud with gasketed lens.

SOCKET/LAMP HOLDER:

One fixed ceramic bi-pin socket accepts bi-pin lamps with G4 and GY6.35 bases.

LENS:

Clear and frosted tempered glass lenses included.

LAMP TYPE:

12V SMD or encapsulated bi-pin. 35W maximum.

MOUNTING:

Stem threaded with 1/2" NPT. Heavy-duty composite stake included. May be mounted into threaded hubs in junction boxes or mounting accessories shown on back page.

WIRING:

Prewired with 5' pigtail of 18/2 cable.

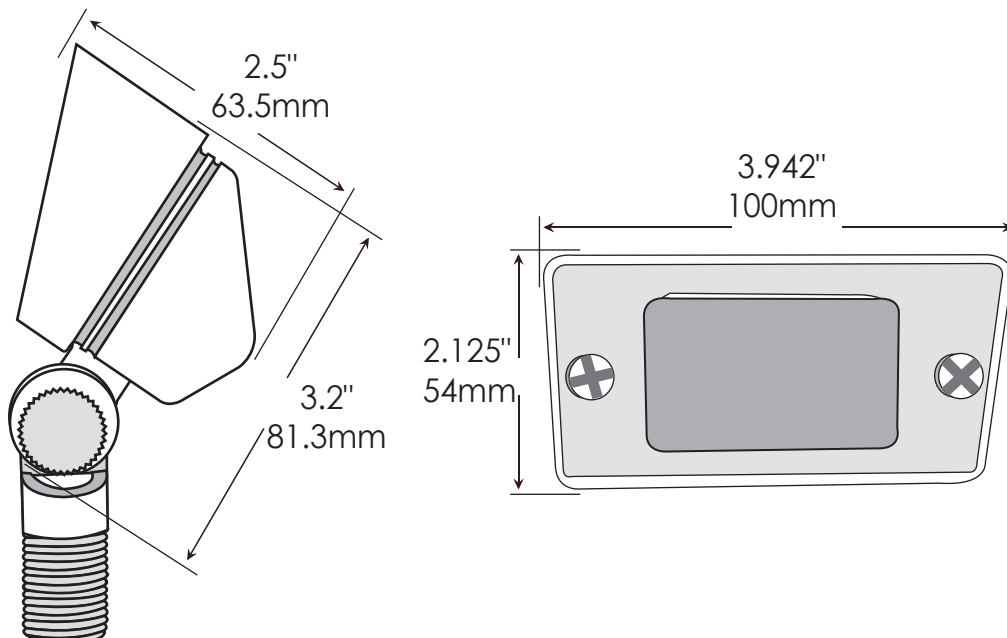
WARRANTY:

Lifetime.



The Hampton mini wall wash comes with clear and frosted glass lenses. The lens is gasketed into an angled shroud. Crafted from cast brass. A heavy-duty composite stake is included, and other mounting options are available. Tilt angle adjusts securely with a brass knob. Can be used for accenting building and barrier walls, as well as for lighting landscape features from below. A variety of LED bi-pin lamp intensities and hues are available.

DIMENSIONS:



LED LAMP SPECIFICATIONS

LAMP TYPE:

IP65 outdoor-rated SMD or encapsulated bi-pin with 5-year warranty.

COLOR TEMPERATURES:

2800K warm white or 6000K cool white. Decorative color light options include amber, blue, green, and red.



FIXTURE		LAMP		MOUNTING		RISER	
Hampton	WATTAGE	TYPE	COLOR TEMP.	MS	Composite stake (incl.) 490029	R2	2" brass riser 490038
	2W	E Encapsulated bi-pin	2800K / 6000K	M3	3-prong tri-stake 490030	R3	3" brass riser 490039
	2.2W	S SMD bi-pin	2800K	MY	Y-bracket surface mount 490045	R6	6" brass riser 490031
	3W	E Encapsulated bi-pin	2800K / 6000K	MG	Brass gutter mount 490047	R12	12" brass riser 490032
	3.3W	S SMD bi-pin	2800K / Amber / Blue / Green / Red	MR	Round 3-hole surface mount 490048	R24	24" brass riser 490033
	4W	E Encapsulated bi-pin/ S SMD bi-pin	2800K				
	5W	S SMD bi-pin	2800K				