

Type: \_\_\_\_\_

Model: \_\_\_\_\_

Project: \_\_\_\_\_

## SPECIFICATION SHEET

### MODEL: Kingston

#### SPECIFICATIONS

**HOUSING:**

Cast brass with weathered brass finish. Lock-and-load shroud with O-ring.

**SOCKET/LAMP HOLDER:**

Stainless steel fork terminals.

**LENS:**

Clear tempered glass flat lens.

**LAMP TYPE:**

12V AR111 or PAR36. LED recommended. 36W maximum.

**MOUNTING:**

Stem threaded with 1/2" NPT. Heavy-duty composite stake included. May be mounted into threaded hubs in junction boxes or mounting accessories listed on back page.

**WIRING:**

Prewired with 5' pigtail of 18/2 cable.

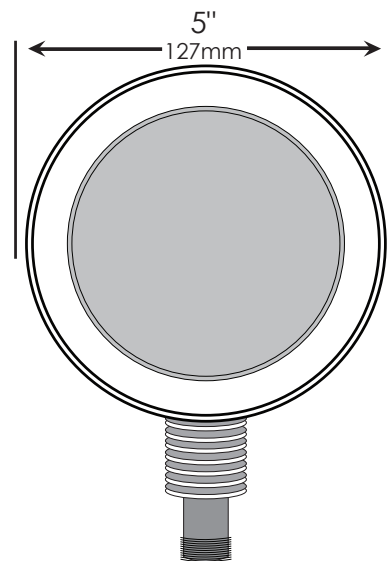
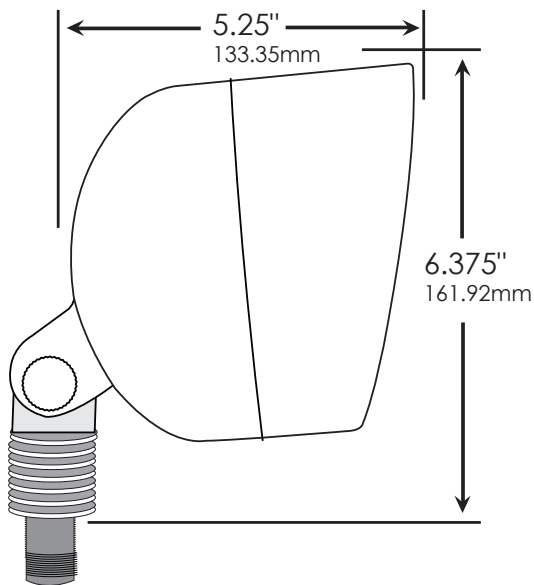
**WARRANTY:**

Lifetime.



The weathered-brass Kingston uplight casts a broad, flattering light. Its four-inch tempered glass convex lens seals the durable inner workings. Mounting options include an included heavy-duty composite stake. Choose from seven AR111 and PAR36 LED lamps to achieve warm-white beam spreads from 25° to 60°.

### DIMENSIONS:



LED LAMP SPECIFICATIONS

**LAMP TYPE:**

AR111 UL-listed (E353116) 12V lamp or PAR36 IP65 outdoor-rated 12V lamp with 5-year warranty.

**OPTICS:**

Integral optics providing available beam spreads from 25° to 60°.

**COLOR TEMPERATURE:**

3000K warm-white color temperature.



FIXTURE		LAMP		MOUNTING		RISER	
Kingston	TYPE	WATTAGE	BEAM SPREAD	<b>MS</b>	Composite stake (incl.) 490029	<b>R2</b>	2" brass riser 490038
	PAR36 IP65	6W	30°	<b>M3</b>	3-prong tri-stake 490030	<b>R3</b>	3" brass riser 490039
	PAR36 IP65	7W / 10W	25° / 60°	<b>MY</b>	Y-bracket surface mount 490045	<b>R6</b>	6" brass riser 490031
	AR111	12W	25° / 40°	<b>MG</b>	Brass gutter mount 490047	<b>R12</b>	12" brass riser 490032
				<b>MR</b>	Round 3-hole surface mount 490048	<b>R24</b>	24" brass riser 490033